



SKYE – MASSAGE TABLE

NEW



Leg Extension



Adjustable armrests



Shown in Dove Grey upholstery

FEATURES

Skye was created to accommodate the unique requirements of massage therapists. The highlight of this table is its newly designed head section, which can be adjusted for both lying and seated chair massage positions. The variable position armrests can be adjusted on 3 axes to comfortably position patients and relax the shoulders. This table also comes equipped with a powered adjustable center section, controlled by our patented Soft Touch Technology, located on the base of the table.

SOFT TOUCH TECHNOLOGY

Cardon's patented Soft Touch Footswitch has been strategically positioned on the base of your treatment table. **Minimal** amount of pressure applied by your foot will raise and lower the table with ease.

15
Year
Warranty
on Frame



500lb dynamic lifting capacity

SKYE – MASSAGE TABLE

STANDARD MODEL:

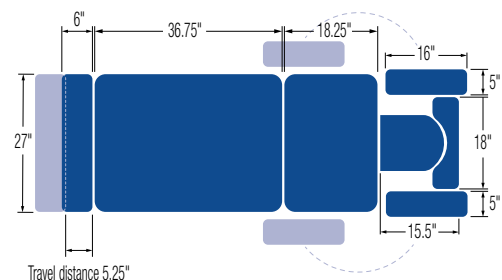
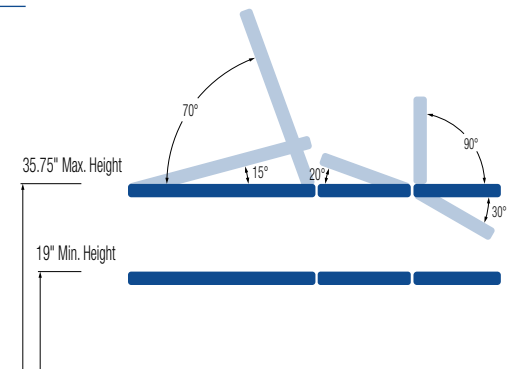
| 7 Section Table | |
|---|--|
| Electric Hi-Lo Control | Soft Touch Footswitch |
| Height Adjustment | 19.5"– 35.75" Available at 19" with 1.5" foam |
| Head Section Adjustment | Positive locking system |
| Head Section with Variable Position Armrests (crescent head section included) | ✓ |
| Caster System | Single lever retractable (4" casters) |
| Powered Adjustable Centre Section | ✓ |
| Leg Extension | 6" |
| Frame Construction | High strength seamless tubular frame |
| Frame Color | Durable powder coat in Gunmetal Grey or White |
| Upholstery Foam | 2" thick |
| Antimicrobial Naugahyde Upholstery | Over 80 upholstery color options |
| <small>*Not applicable to crescent head section (only available in black)</small> | |



Soft Touch Footswitch

SPECIFICATIONS:

| | |
|---------------------------|----------------------------------|
| Dynamic Lifting Capacity | 500 lbs. |
| Dimensions | 27" x 78.5" |
| Power Supply | 120 Volt AC 60 Hz. Max. 2.7 Amp. |
| Fire Retardant Upholstery | ✓ |



OPTIONAL ACCESSORIES:

Examination paper holder

SKYE – MASSAGE TABLE