



ECHO 100 DIAGNOSTIC IMAGING



Shown with stress echo cut-out

FEATURES

The Echo 100 is an echocardiography table designed for sonographers. Our innovative stress echo cut-out allows for obtaining the proper apical views. This feature provides you with a better imaging experience by giving you easier access to your patient and minimize foreshortening.

The Echo 100 easily adjusts to optimize ergonomic positioning for the sonographer while maintaining patient comfort. The backrest raises 90 degrees; the leg section lowers 90 degrees and rises to 85 degrees. This table also features Soft Touch Technology providing you with convenient access to electric hi-lo controls. The maximum lifting capacity is 500 lbs.

Customizable stress echo cut-out(s) are available according to your requirements. Optional items include: assist rail, heel assists, battery powered, and IV hook.

SOFT TOUCH TECHNOLOGY

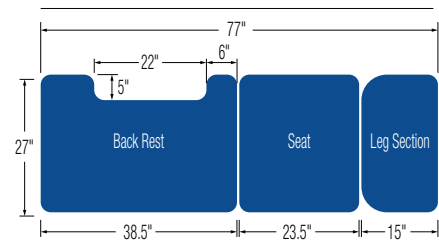
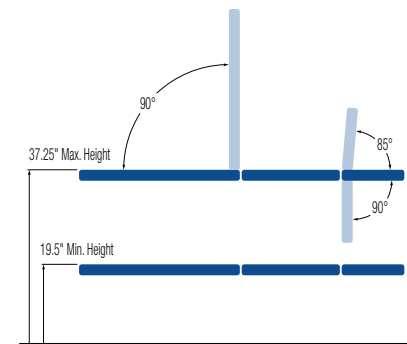
Cardon's patented Soft Touch Footswitch has been strategically positioned on the base of your imaging table. Minimal amount of pressure applied by your foot will raise and lower the table with ease.



ECHO 100 DIAGNOSTIC IMAGING

STANDARD MODEL:

3 Section Table	
Electric Hi-Lo Control	Soft Touch Technology
Height Adjustment	19.5" - 37.25"
Customizable Cut-out(s)	✓
Examination Paper Holder	✓
Leg Section Adjustment	Positive locking system with dual head support
Center Section	Fixed
Backrest Adjustment	Gas spring
Caster System	Dual Lever Retractable (4" casters)
Frame Construction	High strength seamless tubular frame
Frame Color	Durable powder coat in White or Gunmetal Grey
Upholstery Foam	2" thick
Antimicrobial Naugahyde Upholstery	Over 80 upholstery color options



SPECIFICATIONS:

Lifting Capacity	500 lbs.
Dimensions	27" x 77" (Customizable width from 25" - 30")
Power Supply	120 Volt AC 60 Hz. Max. 2.5 Amp.
Fire Retardant Upholstery	✓

OPTIONAL ACCESSORIES:

Heel assists with installation brackets
Assist Rail (36" Long)
Battery Powered
IV Hook